

”A quality washbasin for private homes and institutions”

## ROPOX STANDARDLINE

### WHEN YOU WANT A HEIGHT-ADJUSTABLE WASHBASIN THAT WILL LAST FOR YEARS

The StandardLine is an excellent choice if you are looking for a functional quality washbasin, that is suitable for both private homes, institutions and hospitals.

The height is adjusted electrically, and you can decide if the control switch should be placed on the right or left side of the washbasin. That is one of the small details that can make the basin fit your individual needs in the best possible way.

There are three types of washbasins to choose from so you can be sure to get the model that fit the users best:

- **Standard:** A simple and stylish washbasin for users without any special needs
- **Support:** A washbasin with good access and integrated handles that increases safety for users with limited physical capacity
- **Hospital:** Porcelain washbasin with an inwardly curved front

No matter which StandardLine model you choose, you can be sure to get a washbasin that will last for years and is easy to clean as well.



**ROPOX™**

BETTER WAYS TO BETTER DAYS

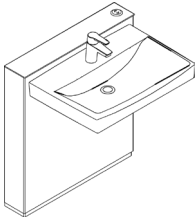
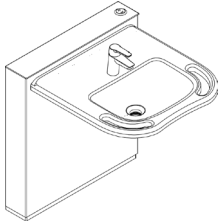
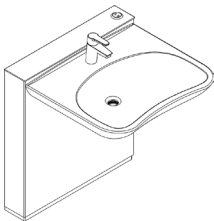
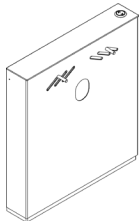
- A PART OF AddLife®

# ROPOX STANDARDLINE

Height adjustment: 30 cm (70-100 cm)

Max. user weight: Tested acc. to DS/ISO 17966:2016  
(see max. user weight below)

## VARIANT/MODEL

WASHBASIN – COMPLETE ELECTRIC			UNIT – ELECTRIC
			
<b>STANDARD</b> 200 kg 66x57x73 cm Item no.: 40-14771	<b>SUPPORT*</b> 200 kg 66x62x73 cm Item no.: 40-14772	<b>HOSPITAL*</b> 200 kg 66x67x73 cm Item no.: 40-14773	<b>UNIT</b> 200 kg 66x12x73 cm Item no.: 40-14770

Available with or without wash basin.

\* Washbasins are without overflow.

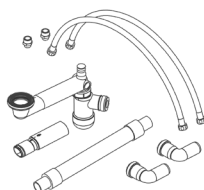
Mixer tap and plumbing kit is included with the washbasins.

## ACCESSORIES

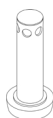
Hand control  
Item no.: 40-14777



Plumbing kit  
Item no.: 40-14776



Plug with overflow  
Item no.: 40-40935



Extended lever for  
one-handle mixer tap  
Item no.: 40-44041



Touchless mixer tap  
Item no.: 40-44045



**NB!** Find more information about measurements, technical data, installation interfaces and much more under the product and in the instruction manuals on our website.

The items are produced according to the following Standard: DS / ISO 17966:2016

ROPOX A/S · Ringstedgade 221 · 4700 Naestved, Denmark – Phone: +45 5575 0500 · info@ropox.com · www.ropox.com

**ROPOX™**  
BETTER WAYS TO BETTER DAYS

– A PART OF AddLife®